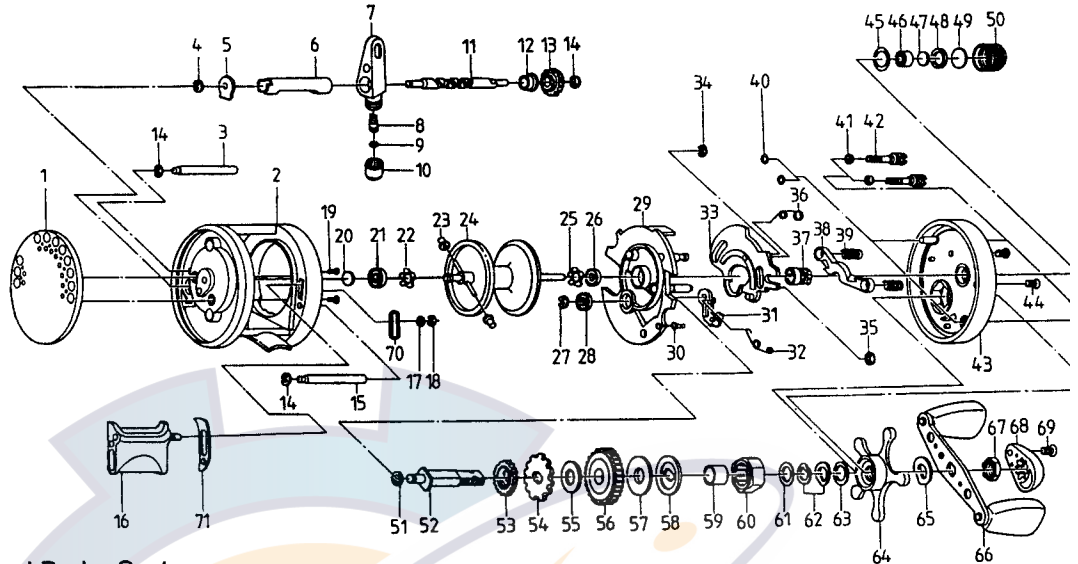


SPECIFICATIONS :

Med FW
 150 yds / 12 lb Line Capacity
 5.2:1 Gear Ratio
 10.2 oz.
 22 Inches Per Handle Turn
 Bearings:
 CTI22 - 4 BB; 1 RB
 LSR22 - 2 BB; 1 RB



FEATURES :

Continuous Anti-Reverse
 One Piece Aluminum Frame
 Thumb Bar Spool Release
 Right Hand Retrieve
 Externally Adjustable Centrifugal Brake System
 Color :

CTI22 - Bright Silver
 LSR22 - Dark Brown

Key No.	Part No.	DESCRIPTION	Price	Key No.	Part No.	DESCRIPTION
1	CTI22 TV023-01	LSR22 TV023-02 Palm Side Cover		36	TV104-01	Release Slider Spring
2	TV301-01	TV301-02 Frame Assembly		37	TV311-01	Pinion Gear Assembly
3	TV061-01	⇄⇄⇄ Line Guide Carrier Guide Pin		38	TV025-01	Pinion Yoke
4	NX092-01	⇄⇄⇄ E-Clip		39	TV040-01	⇄⇄⇄ Pinion Yoke Spring
5	TV067-01	⇄⇄⇄ Worm Shaft Bushing - Palm Side		40	TV073-01	⇄⇄⇄ Thumb Screw O-Ring
6	TV016-01	⇄⇄⇄ Worm Shaft Guide		41	TV035-01	⇄⇄⇄ Thumb Screw Washer
7	TV347-01	⇄⇄⇄ Line Guide Carrier Assembly		42	TV074-01	⇄⇄⇄ Thumb Screw
8	ZW006-01	⇄⇄⇄ Line Guide Pawl		43	TV324-01	⇄⇄⇄ Gear Side Cover Assembly
9	BV035-04	⇄⇄⇄ Line Guide Pawl Washer		44	TV053-01	⇄⇄⇄ Gear Side Cover Screw
10	TV007-01	⇄⇄⇄ Line Guide Carrier Screw		45	QW101-01	⇄⇄⇄ Tension Knob O-Ring
11	TV072-01	⇄⇄⇄ Worm Shaft		46	SW117-01	⇄⇄⇄ Tension Knob Ball Bearing
12	TV068-01	⇄⇄⇄ Worm Shaft Bushing - Gear Side		47	QW032-04	⇄⇄⇄ Spool Tension Washer
13	ZW085-01	⇄⇄⇄ Level Wind Gear		48	QW081-01	⇄⇄⇄ Spool Tension collar
14	NX090-01	⇄⇄⇄ E-Clip		49	QW082-01	⇄⇄⇄ Spool Cushion Washer
15	TV061-01	⇄⇄⇄ Thumb Bar Retaining Pin		50	TV033-01	⇄⇄⇄ Spool Tension Knob
16	TV009-01	TV009-02 Thumb Bar		51	TV032-01	⇄⇄⇄ Crank Shaft Spacing Washer
17	QW035-02	⇄⇄⇄ Thumb Bar Pin Washer		52	TV008-01	⇄⇄⇄ Crank Shaft
18	NX090-01	⇄⇄⇄ E-Clip		53	ZW112-01	⇄⇄⇄ O/S Drive Gear
19	TV053-01	⇄⇄⇄ Palm Side Cover Screw		54	TV083-01	⇄⇄⇄ Trip Ratchet
20	QW032-04	⇄⇄⇄ Spool Shaft Washer		55	QW111-01	⇄⇄⇄ Ratchet Washer
21	UW017-01	⇄⇄⇄ Spool Shaft Bearing - Palm Side		56	TV012-01	⇄⇄⇄ Drive Gear
22	TV080-01	⇄⇄⇄ Clip Ring		57	TV059-01	⇄⇄⇄ Drag Disc
23	TV044-01	⇄⇄⇄ Brake Shoe		58	TV045-01	⇄⇄⇄ Drag "D" Washer
24	TV321-01	TV321-03 Spool Assembly		59	ZW052-01	⇄⇄⇄ One Way Bearing Sleeve
25	TV080-01	⇄⇄⇄ Clip Ring		60	ZW063-01	⇄⇄⇄ One Way Bearing
26	SW017-01	N/A Spool Shaft Bearing - Gear Side		61	TV038-01	⇄⇄⇄ Crank Shaft Washer
26	N/A	QW017-01 Spool Shaft Bushing - Gear Side		62	QW046-02	⇄⇄⇄ Spring "D" Washer
27	QW120-01	⇄⇄⇄ E-Clip		63	TV038-01	⇄⇄⇄ Star Drag Washer
28	SW017-01	N/A Crank Shaft Bearing - Lower		64	TV355-01	⇄⇄⇄ Star Drag Assembly
28	N/A	QW017-01 Crank Shaft Bushing - Lower		65	QW054-01	⇄⇄⇄ Handle Washer
29	TV010-01	⇄⇄⇄ Set Plate		66	TV318-01	UV318-01 Handle Assembly
30	TV041-01	⇄⇄⇄ Kick Lever Spring Pin		67	QW003-01	⇄⇄⇄ Handle Nut
31	TV077-01	⇄⇄⇄ Kick Lever		68	QW034-03	QW034-05 Handle Nut Cap
32	TV097-01	⇄⇄⇄ Kick Lever Spring		69	QW123-01	⇄⇄⇄ Handle Nut Cap Screw
33	TV039-01	⇄⇄⇄ Release Slider		70	TV140-01	⇄⇄⇄ Thumb Bar Retaining Plate
34	QW120-01	⇄⇄⇄ E-Clip		71	TV056-01	TV056-02 Thumb Bar Guide
35	QW120-01	⇄⇄⇄ E-Clip				

MODEL INTRODUCED : 1998	EFFECTIVE DATE OF PARTS LIST/DIAGRAM: July '98	DISCONTINUED : N/A
--------------------------------	---	---------------------------

Prices subject to change without notice. Prices do not include postage and handling.
 PLEASE ORDER BY PART NUMBER Zebco, P.O. Box 270, Tulsa, Ok. 74101; 918-831-6965 Phone or 800-FIXREEL (349-7335) FAX